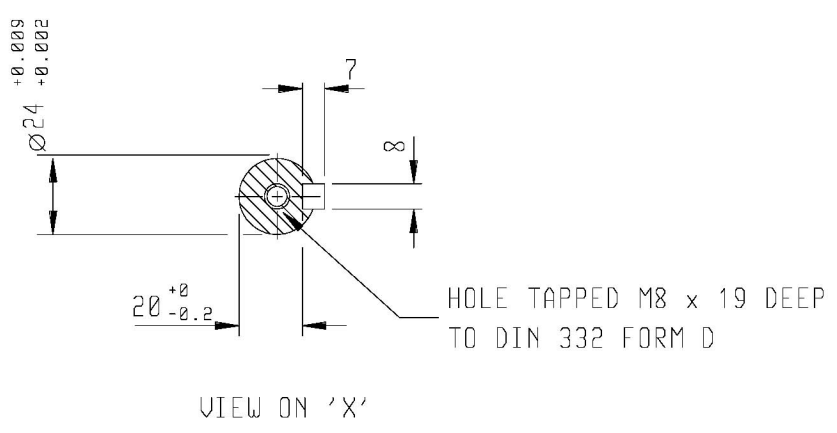
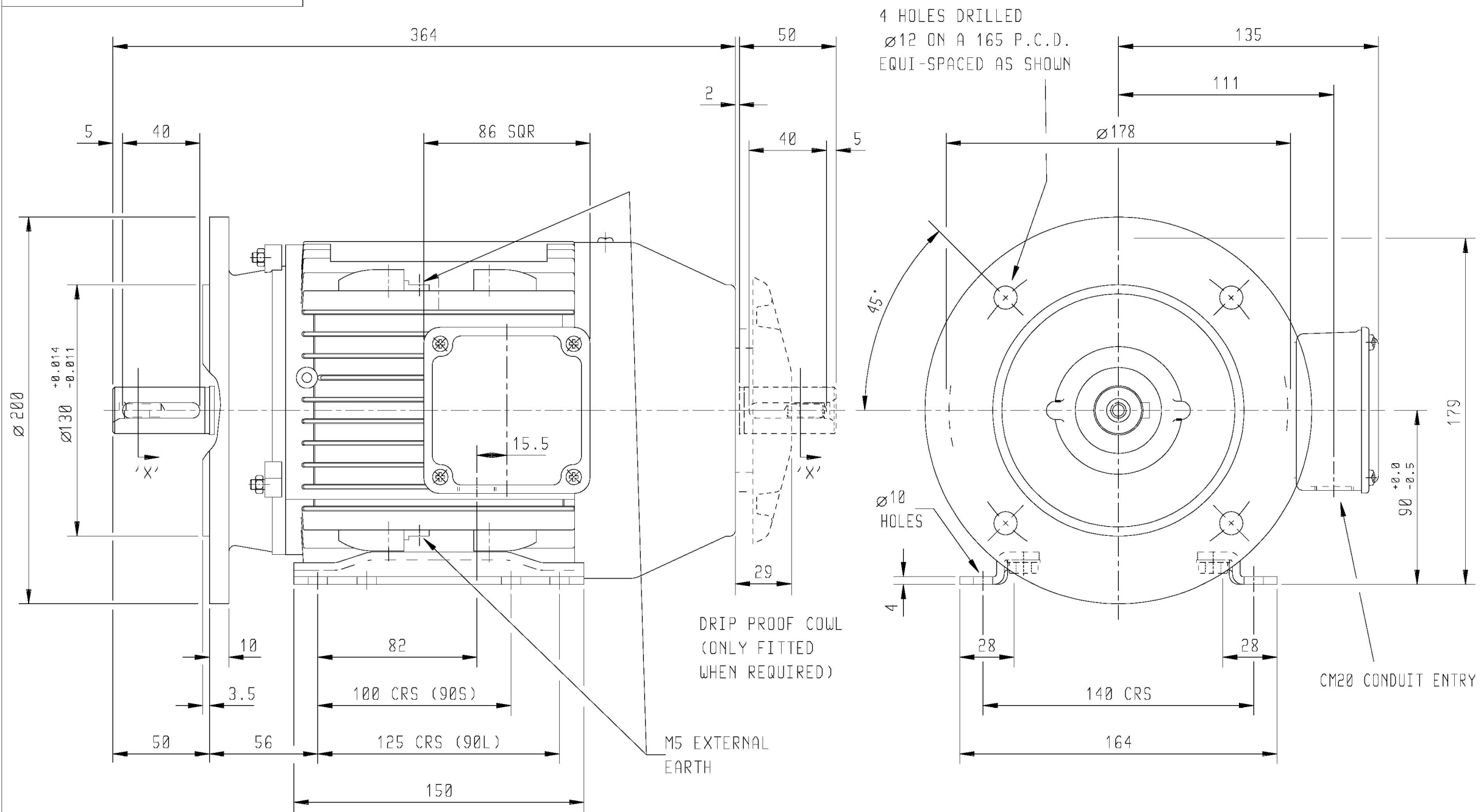


DRG. No.
 DRG. REF.

CUSTOMER		
ORDER No.		
PART No.		
OUR ORDER No.		
FRAME SIZE		
KW.	RPM.	
Hz	PHASE	
VOLTS	POLES	
BRGS.	DE.	NDE.
MOTOR NETT WT.		Kg.
SPECIAL REMARKS		



DRIP PROOF COWL
 (ONLY FITTED
 WHEN REQUIRED)

M5 EXTERNAL
 EARTH

4 HOLES DRILLED
 Ø12 ON A 165 P.C.D.
 EQUI-SPACED AS SHOWN

TERMINAL BOX POSITION:- CAN BE ARRANGED AT EITHER 9,12 OR 3 O'CLOCK BY MOVING FEET.
 STANDARD TERMINAL BOX POSITION IS 3 O'CLOCK AS SHOWN.
 CONDUIT ENTRIES:- TERMINAL BOX CAN BE ROTATED AT 90° INTERVALS
 (CONDUIT ENTRY POSITION SHOWN FOR ILLUSTRATION ONLY).

ALL DIMENSIONS IN MILLIMETRES.

FIRST ANGLE
 PROJECTION

**BROOK
 CROMPTON**

SHEET SIZE A3	TITLE	NAME	DATE
	OUTLINE DIMENSION DRAWING W ALUMINIUM TOTALLY ENCLOSED FAN COOLED 90S/L FRAME FOOT AND 'D' FLANGE MOUNTED MOTOR		
		SCALE	1:2.5

DRG. No.	
DRG. REF.	
REVISION:	DATE